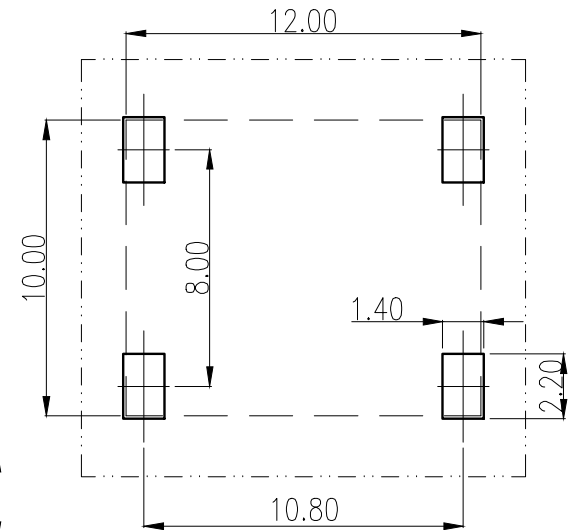
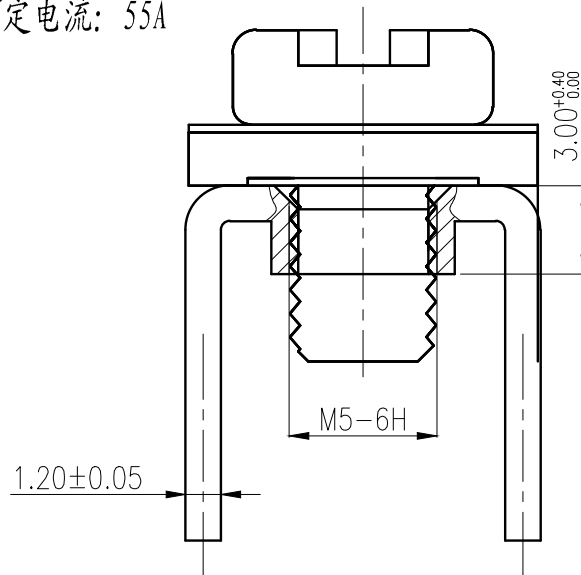


技术要求:

1. 材质: 黄铜, 厚度1.2mm。
2. 打铜底2um, 镀镍2um, 镀锡4um。
3. 螺牙扭力矩达到3N.m以上, 符合M5-6H的螺纹规检测, 螺牙不能有乱牙、豁牙、滑牙现象。
4. 不得有变形, 毛刺等缺陷。
5. 适用线规格: 24-10AWG
6. 额定电流: 55A



REVISION RECORD			
REV.	CONTENT	MOD.	DATE
△	初版发行		

	pitch dimension			Nominal dimension					—
	over 0	over 6	over 10	over 0	over 30	over 60	over 100	over 150	
variable range	to 6	to 10	to 24	to 30	to 60	to 100	to 150		▱
Tolerance	±0.1	±0.15	±0.25	±0.2	±0.3	±0.5	±0.7	±1.0	0.05/10

2	M5*8.0-11.8*11.8			碳钢	镀镍
1	E8.0*10.0*12.0/4+M5			黄铜	镀雾锡
NO.	NAME OF PART	NO. OF PART	Q'TY	MATERIAL	NOTES
DES.	ZJL	DATE 2021/09/17	UNITS mm	THIRD ANGLE PROJECTION	
CHK.	DATE	SIZE A4	⊕		SHEET 1 of 1
APP.	DATE	SCALE 1:1	DWG NO.	SP-2-7002001	REV: T0
上海有乐电气有限公司 Shanghai YouLe Electric CO.,LTD				TITLE	E8.0*10.0*12.0/4+M5 E8.0*10.0*12.0/4+M5-产品